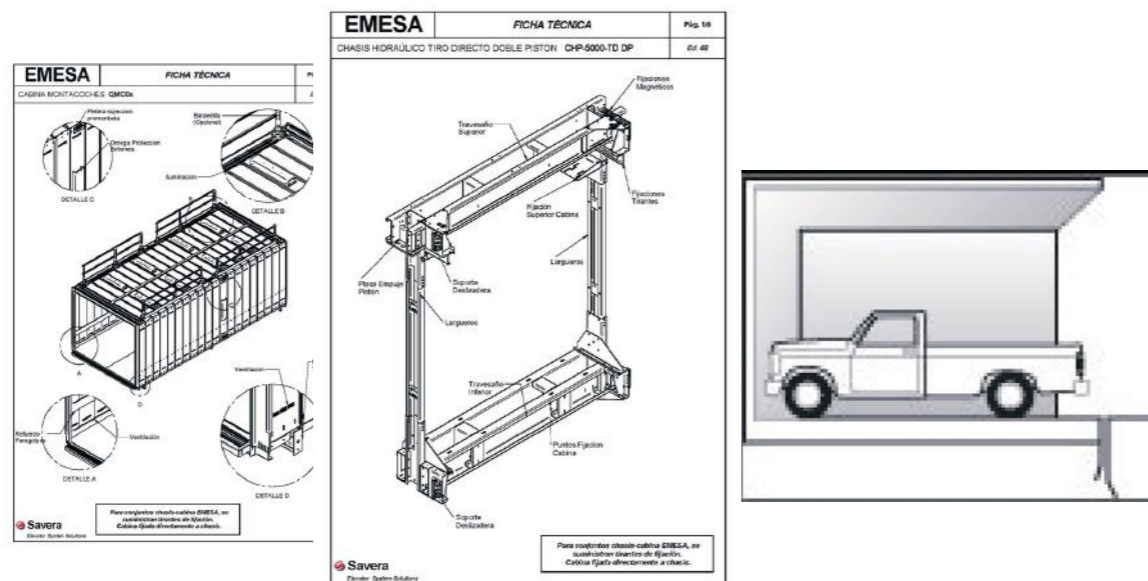


SPECIAL CABINS
RESIDENTIAL CAR PARKING LIFT

Main Features

- EMESA's set Car & Frame
- Double Piston Hydraulic drive, in direct 1:1 or indirect 2:1 configuration.
- Available for different models of pistons or doors.
- Standard Car door configuration: Double entrance 180° with Automatic Center parting doors.
- Rated Load from 3.000 kg up to 5.000 kg.
- P+Q maximum = 9000 kg. Average up to 0.4m/s.

See Car Parking Frame & Cartable



Consult Technical data sheets

- Car Parking Cabin - QMC.
- Hydraulic Double Jack Frame 1:1 CHP-5000-TD DP.
- Hydraulic Double Jack Frame 2:1 CHP-5000-I.
- And it accesories.

Models & Finishings

		Walls ⁽¹⁾	Walls Profiles ⁽²⁾	Bumpers ⁽³⁾	Floor ⁽⁴⁾	Ceiling-Lighting ⁽⁵⁾	Entrance ⁽⁶⁾
MODELS	QMc01	Galvanized Steel	Galvanized Steel	Galvanized Steel	Tear Drop steel plate RAL5008 Blue painted	RAL White 9016 painted	Galvanized Steel
	QMc02	Stainless Steel	Stainless Steel	Stainless Steel	Tear Drop steel plate RAL5008 Blue painted	RAL White 9016 painted	Stainless Steel
	QMc03	Skinplate	Skinplate	Skinplate	Tear Drop steel plate RAL5008 Blue painted	RAL White 9016 painted	Skinplate
	QMc04	Painted walls	Skinplate	Skinplate	Tear Drop steel plate RAL5008 Blue painted	RAL White 9016 painted	Skinplate

Walls⁽¹⁾

- Standard Stainless Steel AISI 441 Satin. Optionals: AISI 304 Satin, AISI 316 Satin, AISI 304 Textured (Leather, Canvas, Linen).
- EMESA's Standard Skinplate EMESA (see colours in "Models and Finishings"): Blue, Black, Grey, Cream, White, Stainless Steel & Stainless Steel Lock. Out of standard cabin height availability should be checked under consultation
- Painted walls: By default Blue 5024. Optionals Colours: White RAL 9016, Oyster White RAL 1013, Beige RAL 1019, Dark Grey RAL 7010, Grey RAL 7032, Grey Metallic RAL 9006, Black RAL 9005, Cream RAL 9001.
- Special Optionals: Beige Pearl Metallic RAL 1035, Pearl Light Grey RAL 9022, Water Blue RAL 5021, Pigeon Blue RAL 5014.
- Other colours under consultation

Bumpers⁽³⁾

BUMPERS-REINFORCEMENTS ON WALLS

- One row of bumpers-reinforcements.
- Skinplate Simil Inox in Painted Cabin.
- Rest of the cabin same finishing as the walls.
- Optional: Pine Wood, Beech Wood, Clear Grey Plastic 200mm or Dark Grey Plastic 60mm.
- Additional Bumper rows available as an optional.

Walls Profiles⁽²⁾

- Skinplate Simil Inox in Painted Cabin.
- Rest of the Cabin same finishing as the walls.

Lighting⁽⁵⁾

FINISHINGS

- White RAL 9016 Painted Ceiling. Optional in Stainless Steel under consultation.

LIGHTING.

- EN 81-20/50 Standard. White Downlight LED Blanco flush mounted.
- EN 81-2 Standard. Direct Flush Lighting with fluorescents.
- Optionals: Led Spots. Vandal-proof Spots as an optional.

Other Components.

- Exhaust fan
- Trap door in Roof-Ceiling.

Floor⁽⁴⁾

FINISHING

- Painted in Blue RAL 5008. Optional Black RAL 9005

Optionals. Chequered Aluminium plate.

Teardrop & Chequered Plate have not adjustment of the pattern at the joints.

Special uses for liquid spillage have to be previously studied.

- *Teardrop Patterned Stainless Steel available under consultation*

Common Notes

- QMc01 Industrial Finishing. A non uniform finishing is possible in galvanized walls.
- Cabin walls do not include backside noise isolation. Optional under consultation.
- Steel Bumpers have no inside filling. Optional under consultation.

Finishings & Materials

Walls



Galvanized Steel

Satin Stainless Steel AISI 441

Skinplate

Painted

Bumpers-Reinforcements on walls



Steel

Pine wood

Beech wood

Plastic 200

Plastic 60

Standard with one row. Possibility of modification.

Finishings & Materials

Lighting

STANDARD EN 81-20/50



Configuration under cabin dimensions.

STANDARD EN 81.2



OPTIONAL



LED SPOT

Floor

STANDARD



Tear Drop

OPTIONAL



Aluminium



Tear Drop
Stainless Steel

Finishings & Materials. Examples

QMc04

Floor: Aluminium
Walls: Steel Painted Custom RAL.
Bumpers: Pine wood, 2 rows
Lighting: Standard

